

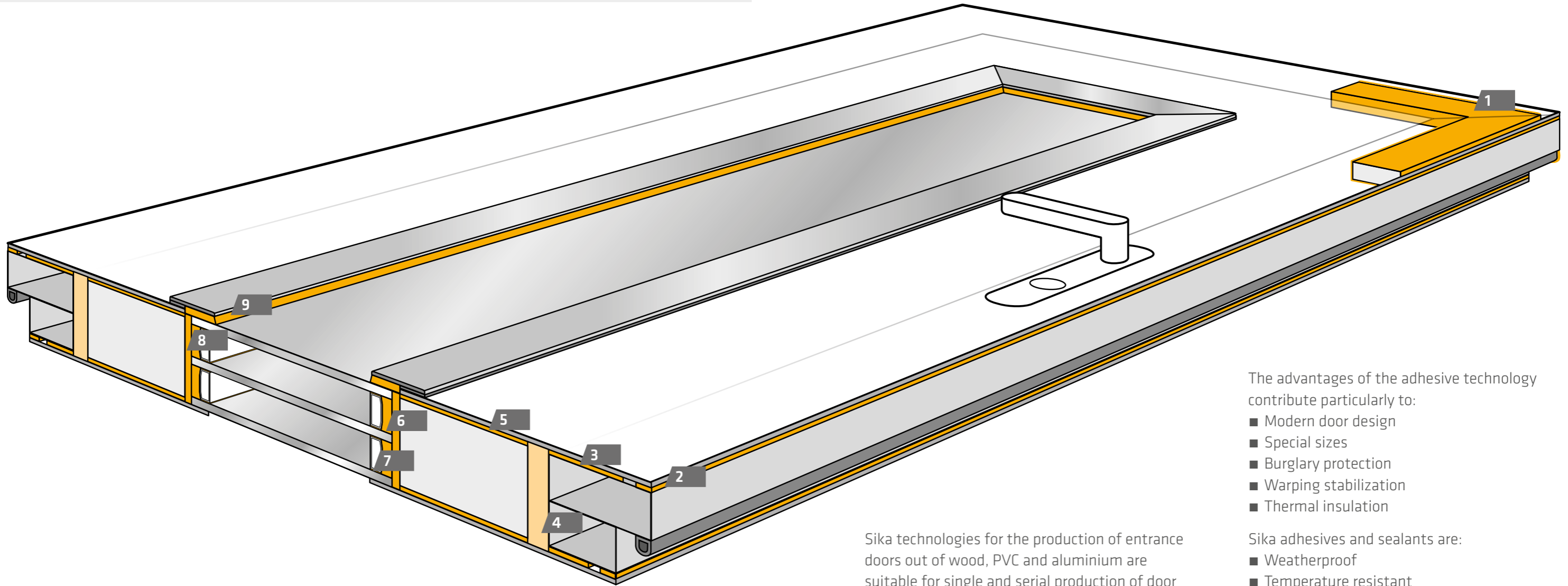


FRONT DOORS PROCESS MATERIALS

BUILDING TRUST



SEALING AND BONDING PRODUCTS FOR FRONT DOOR PRODUCTION



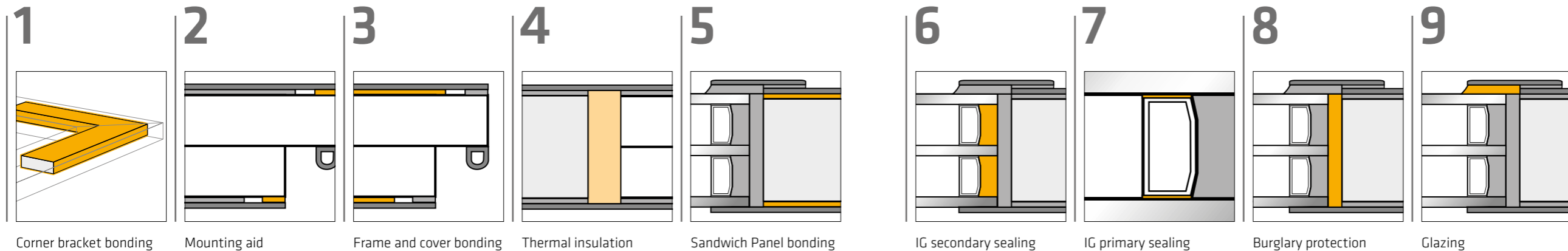
The advantages of the adhesive technology contribute particularly to:

- Modern door design
- Special sizes
- Burglary protection
- Warping stabilization
- Thermal insulation

Sika technologies for the production of entrance doors out of wood, PVC and aluminium are suitable for single and serial production of door panels, frames as well as side panel glazing made of various materials.

Sika adhesives and sealants are:

- Weatherproof
- Temperature resistant
- Process optimized
- Tested by certification institutes



1 Corner bracket bonding

2 Mounting aid

3 Frame and cover bonding

4 Thermal insulation

5 Sandwich Panel bonding

6 IG secondary sealing

7 IG primary sealing

8 Burglary protection

9 Glazing

SEALING AND BONDING PRODUCTS

	Product Name Technology	Application	Characteristics	Roll 50m	Can Set A+B	Cart-ridge	Uni-pack	Cylinder drum	Pail 20 l	Drum 200 l
1	SikaForce®-479 2C PU	Corner bonding	High mechanical strength			●				
2	Sika®Glazing Tape Prefix	Mounting aid	Acrylic adhesive UV-stable	●						
3	Sikaflex®-221 1C PU	Frame and cover bonding	Highly elastic Good adhesion			●	●		●	●
3	Sikaflex®-953 2C PU	Frame and cover bonding	Highly elastic Good adhesion			●	●		●	●
3	Sikasil® WT-480 2C silicone	Frame and cover bonding	UV-stable ETA certified			●			●	●
3	Sikasil® SG-500 2C silicone	Frame and cover bonding	UV-stable ETA certified							● ¹⁾
3	Sikasil® SG-20 1C silicone	Frame and cover bonding	UV-stable ETA certified			●	●		●	●
4	SikaBond® FoamFix 1C PU	Thermal insulation	Good thermal insulation No postexpansion		●					
5	SikaForce®-7710 L35 2C PU	Sandwich Panel bonding	Wide application range		●				●	●
6	Sikasil® IG-25 HM Plus	IG secondary sealing	High UV-stability Low argon permeation							● ¹⁾
7	SikaLastomer®	IG primary sealing	Available in black and grey					●		
8	Sikasil® WT-480 2C silicone	Burglary protection	Compatible with IG edge seal			●			● ²⁾	● ¹⁾
9	Sikasil® WS-605 S 1C silicone	Glazing sealant	Weather resistant			●	●		●	●

¹⁾ A-component in 200 l drum, B-component in 20 l pail

²⁾ A- and B-component in 20 l pail

PRETREATMENTS

Product	Application	Unit
Sika® Activator-205	Surface pretreatment	Can 250 ml, 1 l
Sika® Primer-209 D	Surface pretreatment	Can 250 ml, 1 l
Sika® PowerClean Aid	Primer application cleaning	Box 24 pcs



CLEANER

Product	Type	Unit
Sika® Cleaner P	Surface cleaner	Can 250 ml, 5 l
Sika® Remover-208	Cleaner	Can 30 ml, 250 ml, 1 l
Sika® Cleaner-350 H	Cleaning towels	Bucket 70 towels
Sika® CleanGlass	Glass cleaner	Bottle 500 ml



PRODUCT PROPOSAL

1 SikaForce®-479



Product advantages

- High mechanical strength
- Wide adhesion range
- Mixing ratio 1:1 by volume
- Short mixer for waste reduction
- ift-approved

2 Sika® Glazing Tape Prefix



Product advantages

- Instant adhesion on many substrates
- UV-stable
- Protection liner easily to remove

3 Sikaflex®-221/-953



Product advantages

- High elasticity
- High tear strength
- Easy to apply
- Sikaflex®-553 moisture-independent curing

3 Sikasil® SG-500/SG-20



Product advantages

- Highly UV-stable
- High elasticity
- Easy to apply
- ETA-approval for structural glazing

4 SikaBond® FoamFix



Product advantages

- Low post-expansion
- Fast and easy application
- Adhesion on all common insulation materials
- Highly sound dampening

5 SikaForce®-710 L35



Product advantages

- Wide adhesion range
- Moisture-independent curing
- Long open time
- Short press time
- Solvent free

8 Sikasil® WT-480



Product advantages

- Mainly compatible with IG edge sealant
- Approved by system providers for burglary protection
- Outstanding adhesion range
- Highly UV-stable

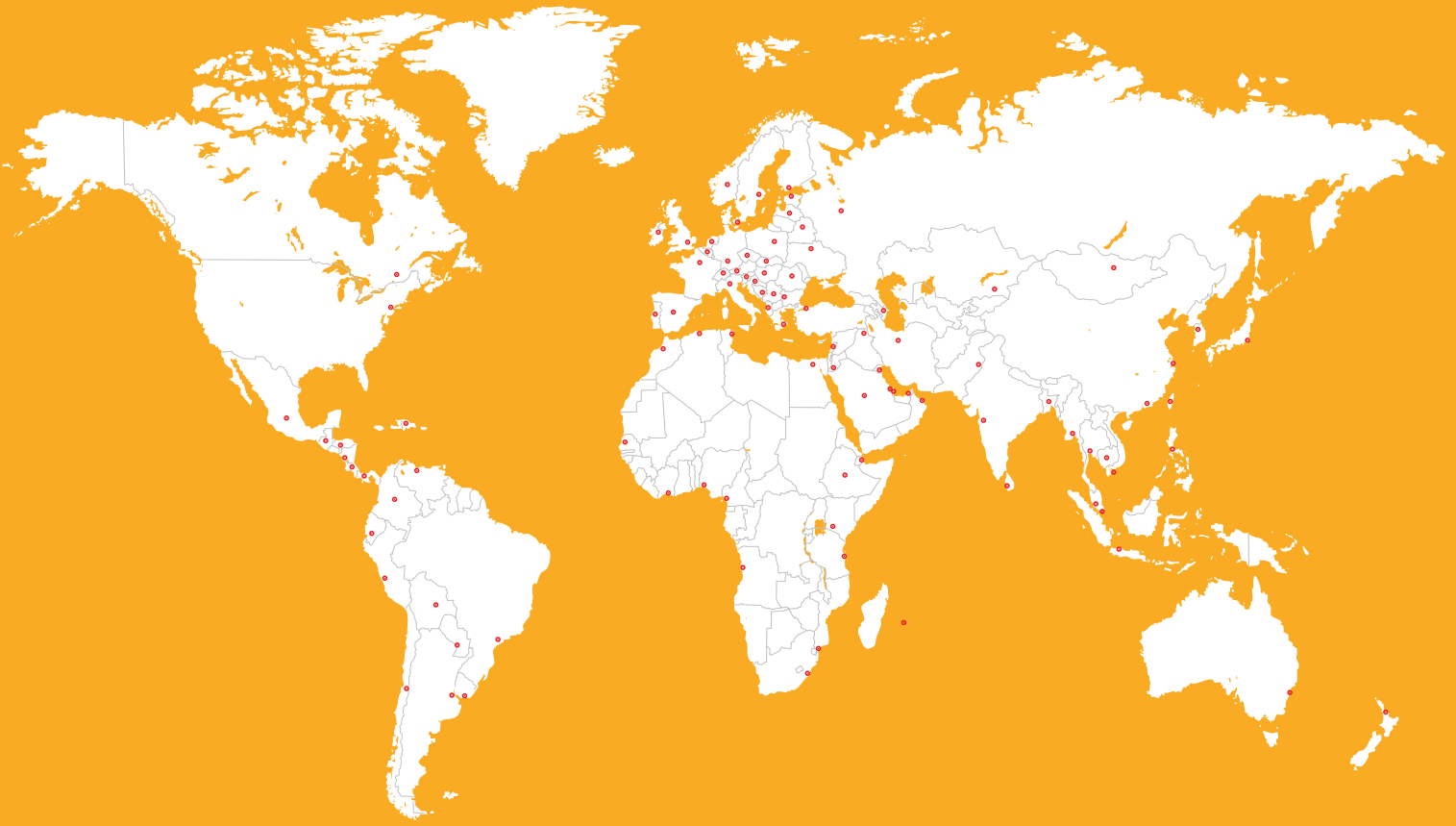
9 Sikasil® WS-605 S



Product advantages

- Outstanding UV- and weathering resistance
- Good adhesion on glass, metal, plastics and wood
- Non-staining to adjacent materials

GLOBAL BUT LOCAL PARTNERSHIP

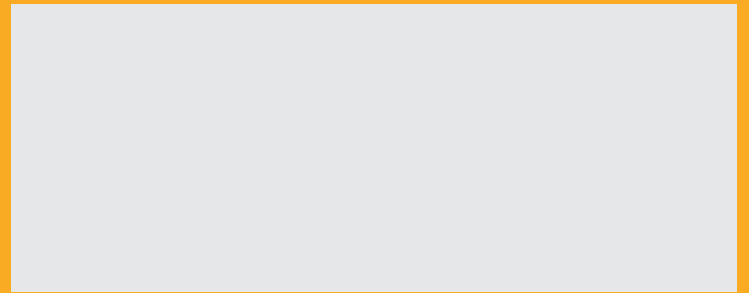


FOR MORE INFORMATION:



www.sika.com/facade

Sika AG, Switzerland, is a globally active specialty chemicals company. Sika supplies the building and construction industry as well as manufacturing industries (automotive, bus, truck, rail, solar and wind power plants, facades). Sika is a leader in processing materials used in sealing, bonding, damping, reinforcing and protecting loadbearing structures. Sika's product lines feature high quality concrete admixtures, specialty mortars, sealants and adhesives, damping and reinforcing materials, structural strengthening systems, industrial flooring as well as roofing and waterproofing systems.



Our most current General Sales Conditions shall apply. Please consult the most current local Product Data Sheet prior to any use.



SIKA SERVICES AG
Tueffenwies 16
CH-8048 Zurich
Switzerland

Contact
Phone +41 58 436 40 40
Fax +41 58 436 55 30
www.sika.com/industry

BUILDING TRUST

