



# APPLIANCES AND HOUSEWARES INDUSTRY ASSEMBLY SOLUTIONS

# ADHESIVE SOLUTIONS FOR HOME APPLIANCES AND HOUSEWARES INDUSTRY

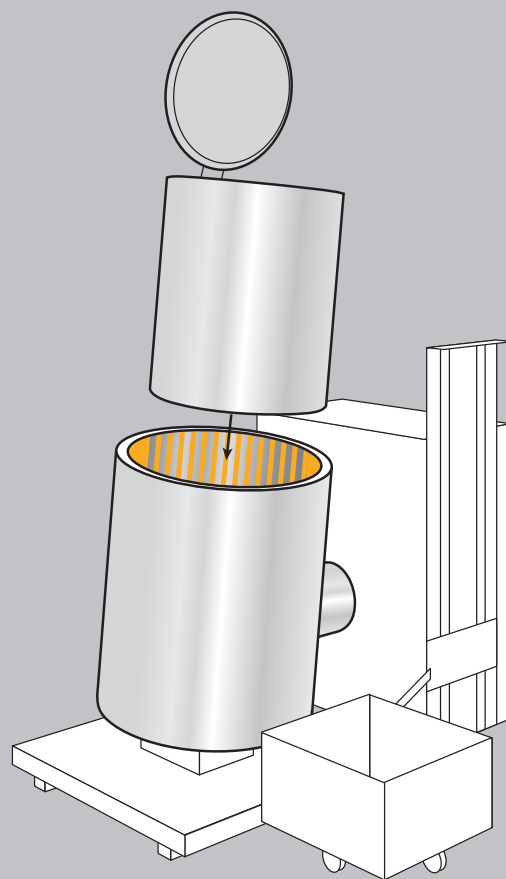
Sika offers a wide range of adhesive and sealant solutions, suitable for plastics, glass and metal bonding while satisfying the most demanding market requirements. Manufacturers of home appliances and housewares, in general, rely on Sika's technologies to bond and seal metal, glass, PMMA and PC components and achieve long-term results and aesthetic appeal. For example, SikaFast® solutions are used for semi-automated assembly of front cover lid on small appliances body as well as for kneader component bonding and cutlery production. Depending on the requested fixture time, SikaFast®-5211, -5215, -5221 NT can be used.

## ADVANTAGES

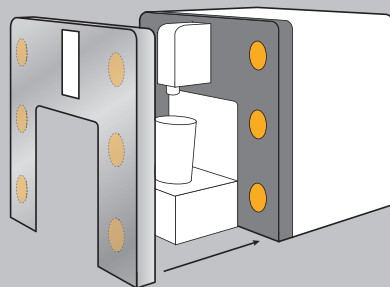
- Multiple choice of design and materials
- Aesthetic design and smooth surface without screws or other mechanical fixtures
- Reduced assembly time
- Even distribution of mechanical stress
- High load-resistant solutions
- Easy and fast handling application

## PRODUCT FEATURES

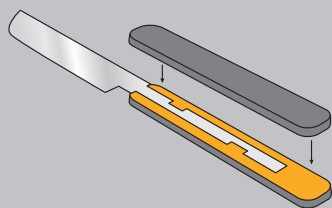
- Structural adhesion and sealing
- Gap filling and short handling times with the 2-component technology of SikaFast®-52xx series
- Suitable for a wide range of substrates
- Optimized both for large and small scale industrial applications
- Minimal pre-treatment required



Bonding stainless steel cylinder into the kneader.



Bonding ABS front cover lid to steel or ABS body.



Bonding wood and plastic handles.

## SIKA SERVICES AG

Tueffenwies 16  
CH-8048 Zurich  
Phone: +41 (0) 58 436 40 40  
Fax: +41 (0) 58 436 55 30  
[www.sika.com/appliances](http://www.sika.com/appliances)

Our most current General Sales Conditions shall apply.  
Please consult the Data Sheet prior to any use and processing.



**BUILDING TRUST**

